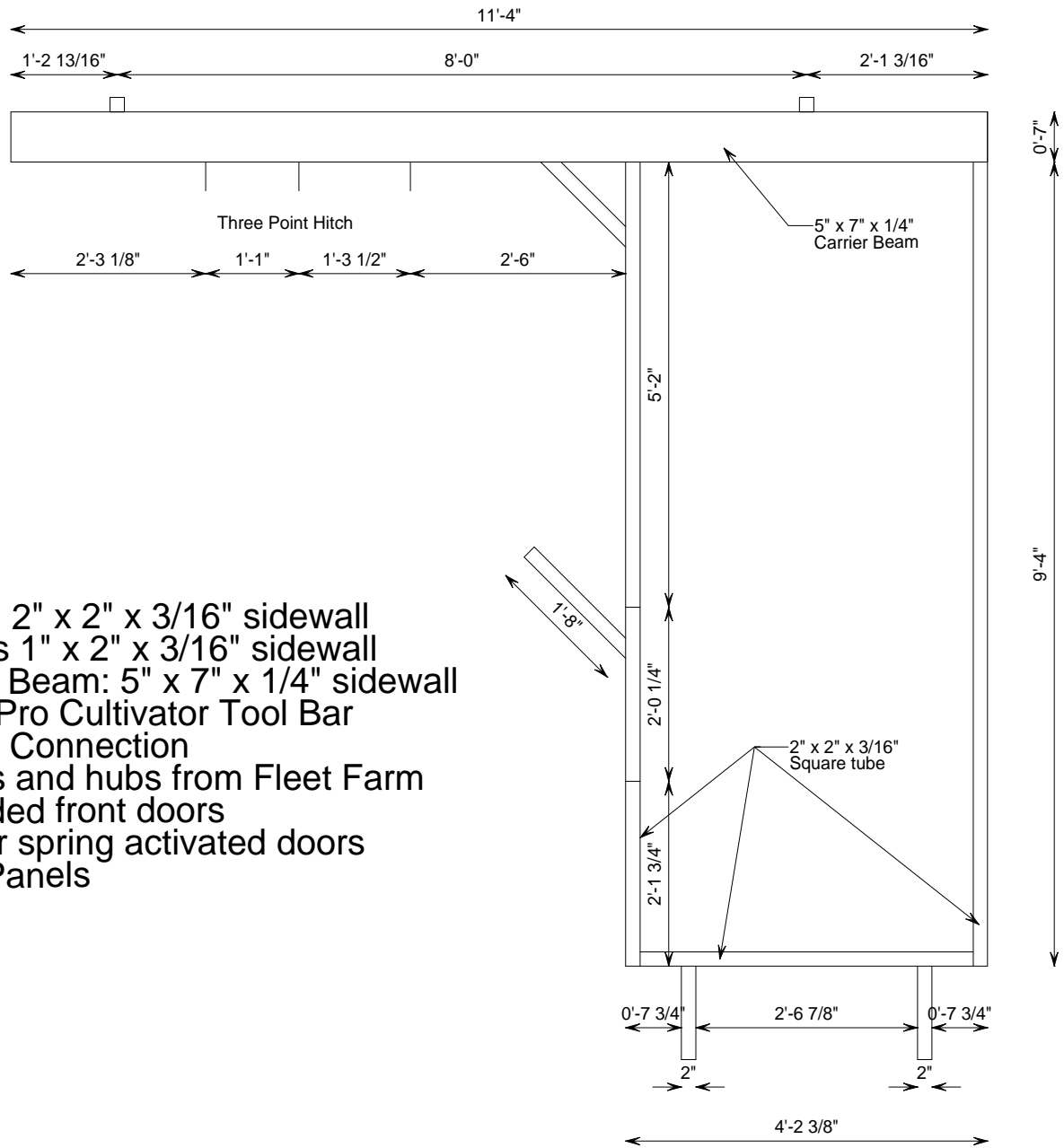


Oneida Nation Farms Calf Catcher

Page 1 of 3 pages

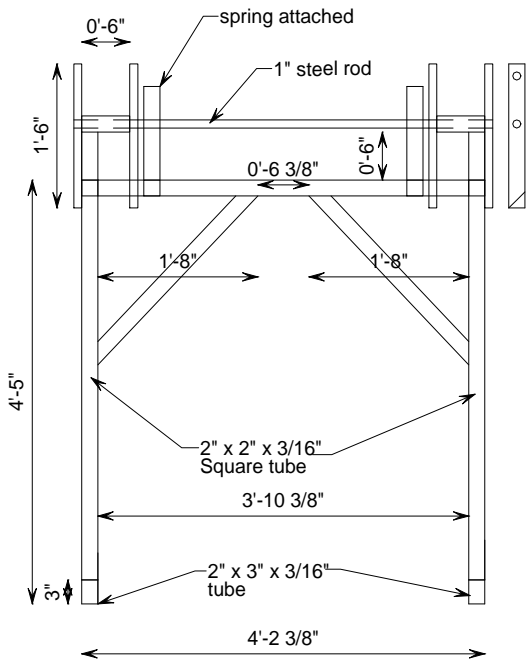


- Main Frame: 2" x 2" x 3/16" sidewall
- Door Frames 1" x 2" x 3/16" sidewall
- Main Carrier Beam: 5" x 7" x 1/4" sidewall
- 6 row Miller Pro Cultivator Tool Bar
- 3 point Hitch Connection
- 4.8 x 12 tires and hubs from Fleet Farm
- 2 spring loaded front doors
- Garage Door spring activated doors
- Wire Mesh Panels

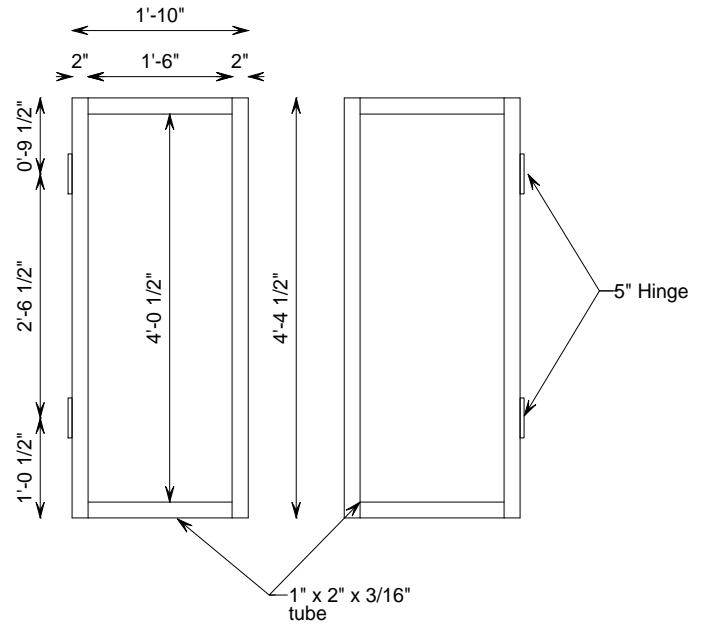
Plan View

Oneida Nation Farms Calf Catcher

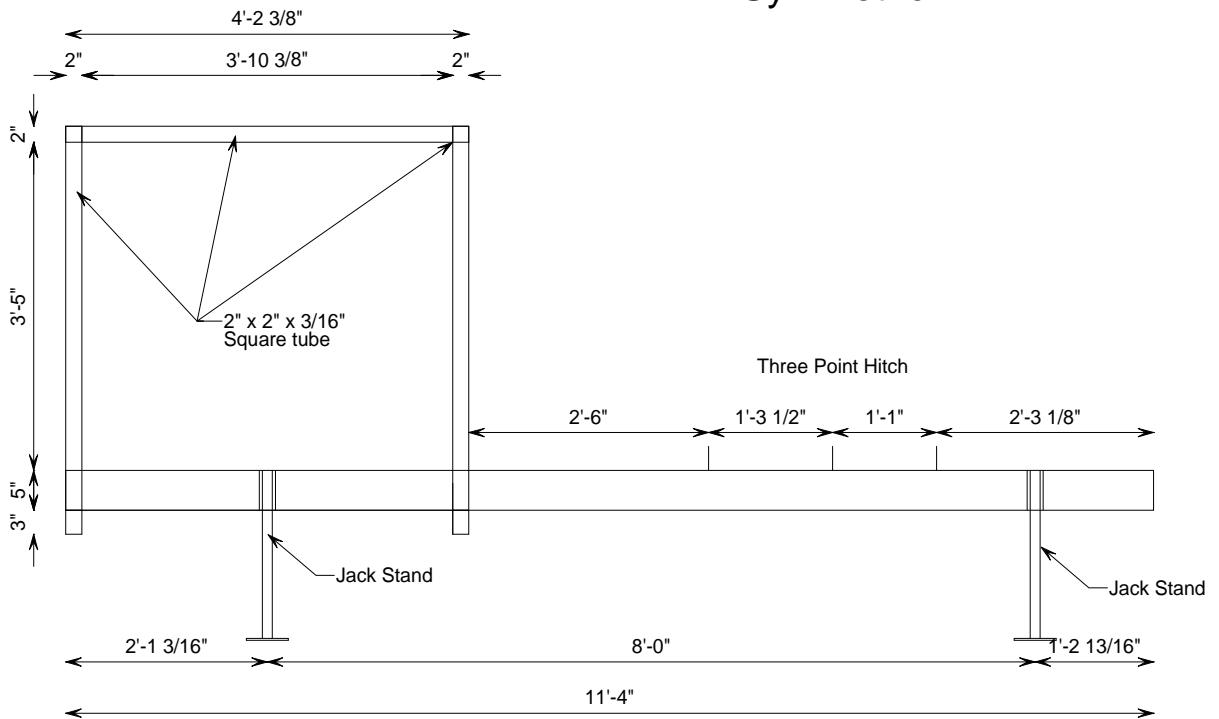
Page 2 of 3 Pages



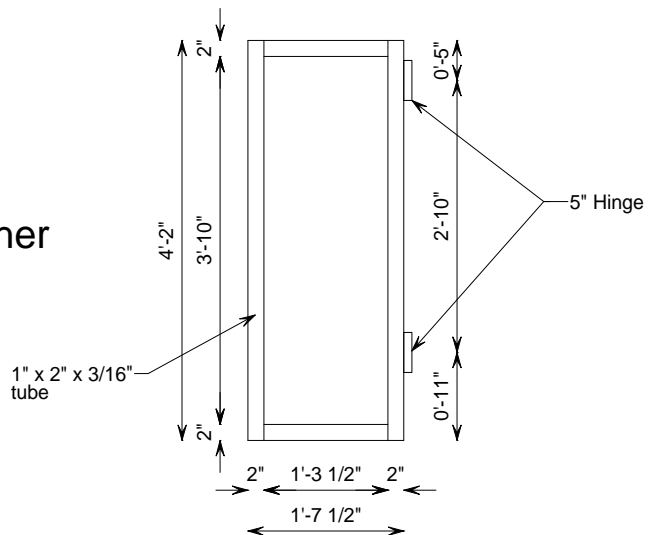
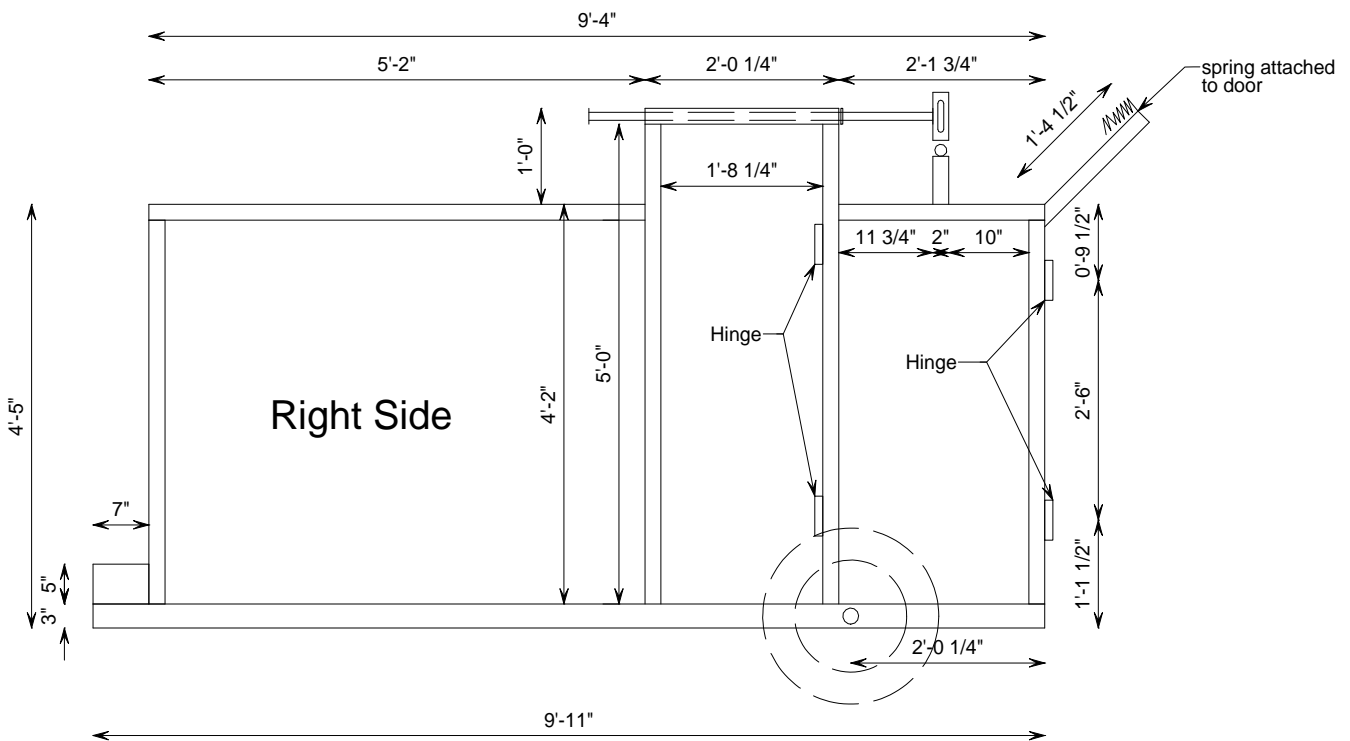
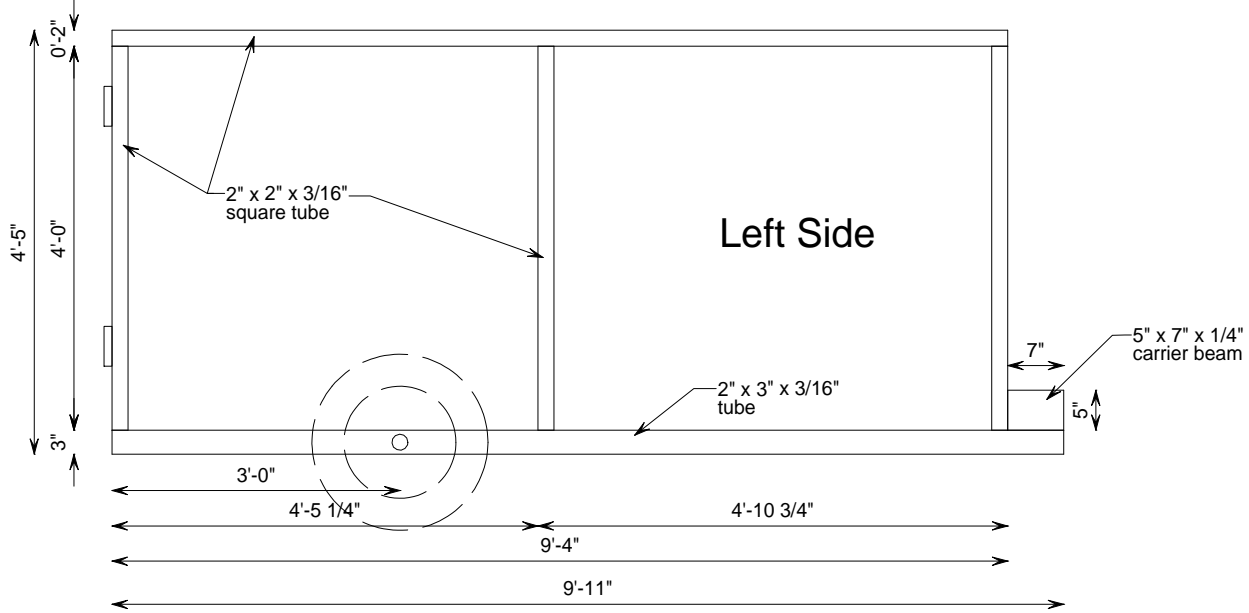
Front Side



**Front Doors
Symmetrical**



Back Side



Oneida Nation Farms Calf Catcher
Page 3 of 3 Pages