

Instructions for the storage of the LEGO Mindstorms EV3 Educational Core Set.

Need:

1-Hard tackle box

Plano® StowAway™ Rack Organizer System - 932



1 - Plano® ProLatch™ StowAway® Utility Box with VCI Pro Chips - 23750-50



Both are available from Amazon, Pro Bass Shops, Farm and Fleet, etc.

To organize, replace one utility box in the Plano 932 with the 23750-50 utility box. The 23750-50 has larger compartments to accommodate the intelligence brick and download cord. This is tray three (3) in the organization key.

Print organization key for trays 1, 2 and 3 on 8 ½ X 14 inch paper and trim the edges to fit inside the corresponding utility box.

Print the organization key for the two small utility boxes on one 8 ½ X 11 sheet of paper and cut out each key to fit into the box.

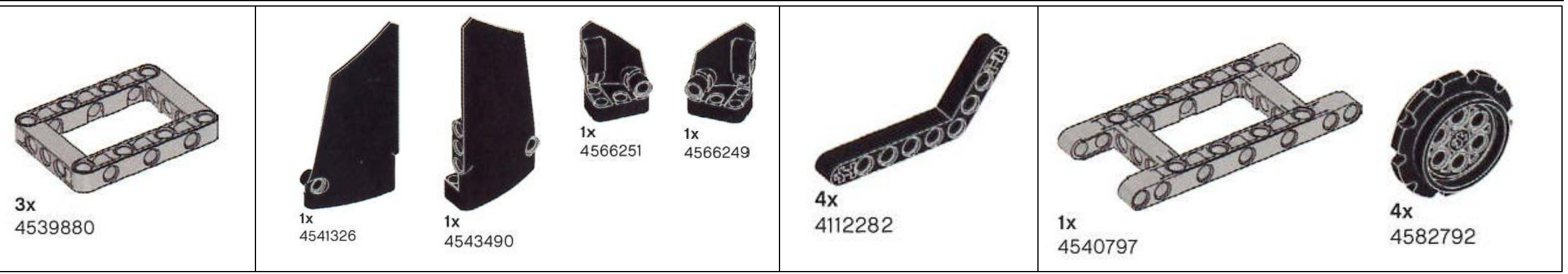
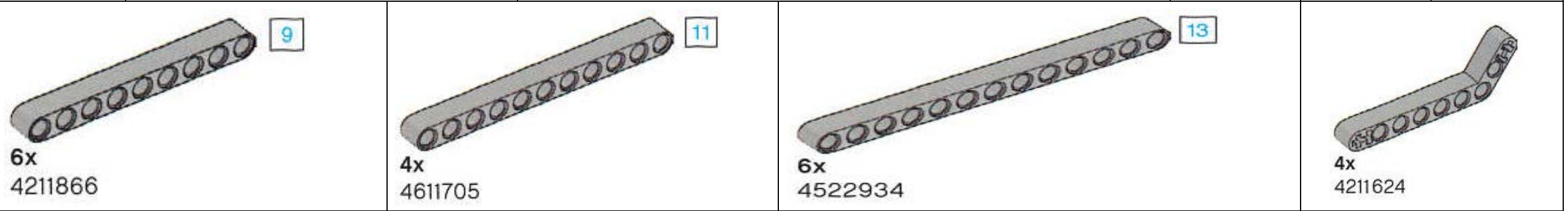
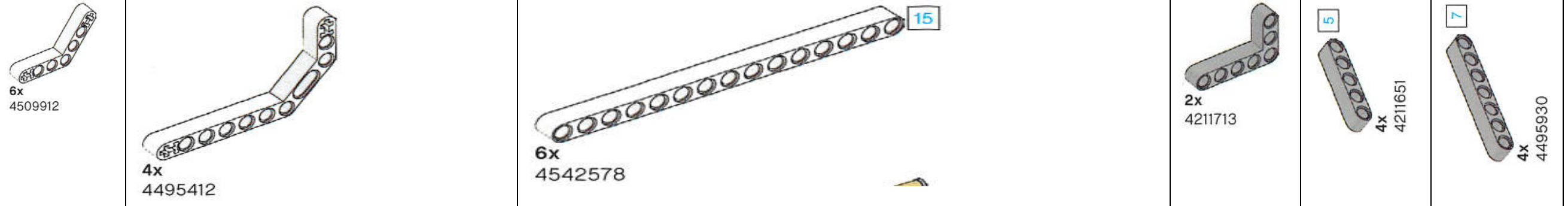
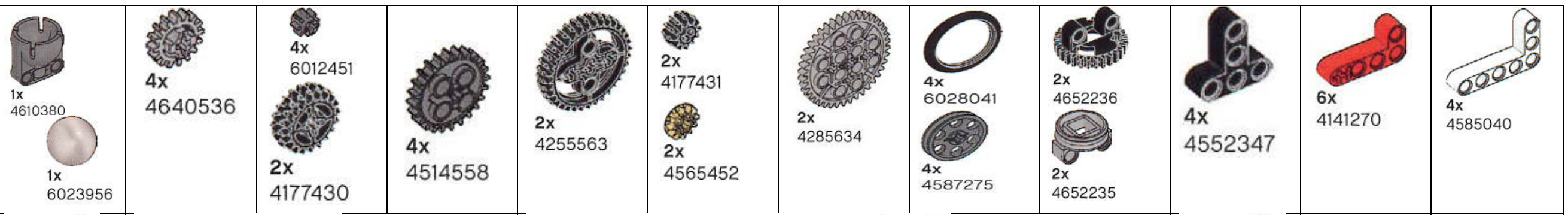
Final view:

EV3 Tray 1, 2 and 3. Small trays.



 4x 4173941	 4x 4153707	 10x 4239601	 8x 4666579	 6x 4514554	 30x 4514553	 4x 6007973	 20x 4206482	 4x 4526985	 2x 4211510	 10x 4211807	 4x 4560175
 22x 4140806	 2x 6008527	 10x 4142865	 6x 4513174	 4x 4153718	 4x 4162857	 4x 4198367	 4x 4107085	 2x 4107767	 4x 4140430	 4x 6006140	 8x 4121667
 6x 4225033	 4x 4296059	 6x 4538007	 10x 4211622	 2x 4634091				 2x 6035364		 4x 4107783	 8x 4211775
 8x 4210857	 1x 6008919	 1x 6008577				 1x 6008916	 60x 4121715	 1x 6008924			

Tray 1



Tray 2

25 cm / 10 in.



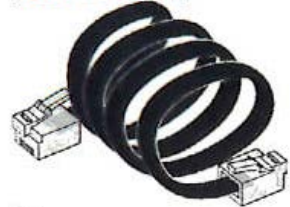
4x
6024581

35 cm / 14 in.

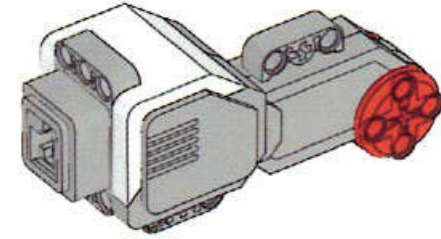
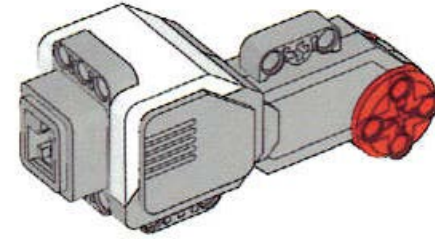


2x
6024583

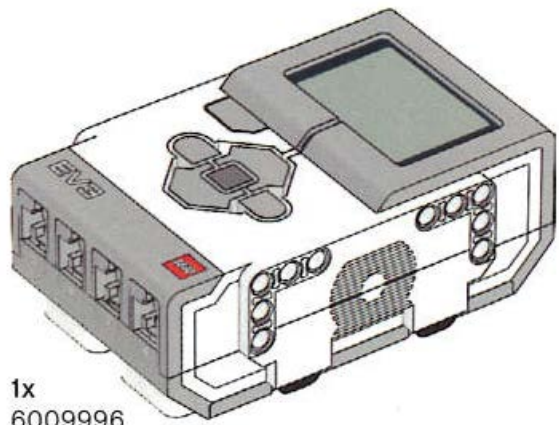
50 cm / 20 in.



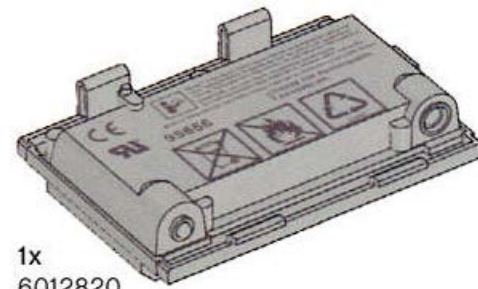
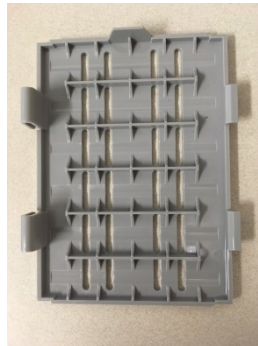
1x
6024585



2x
6009430



1x
6009996



1x
6012820



1x
6036901

Tray 3

 <p>6x 4211639</p>	 <p>14x 4211815</p>	 <p>54x 6014648</p>
  <p>5x 4211805</p> <p>2x 6031821</p>	 <p>54x 6014648</p>	
  <p>2x 4535768</p> <p>2x 370826</p>	 <p>54x 6014648</p>	
  <p>2x 373726</p> <p>2x 4560177</p>	 <p>54x 6014648</p>	
  <p>2x 370726</p> <p>2x 4499858</p>	  <p>4x 6009019</p> <p>2x 4563044</p>	
 <p>4x 370626</p>	 <p>4x 370526</p>	  <p>4x 4248204</p> <p>2x 4502595</p>

small trays